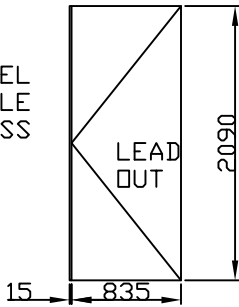
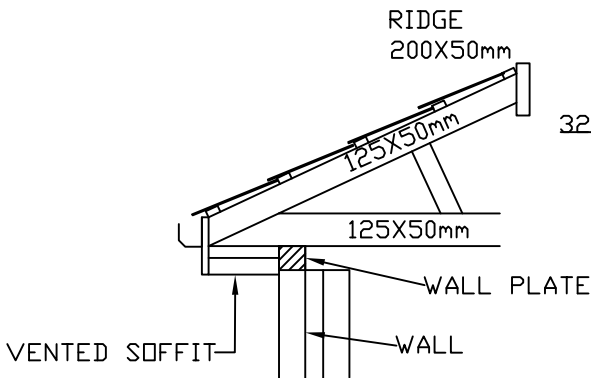


REAR DOOR

AYRES PANEL
GOLD HANDLE
CLEAR GLASS
150mm CILL
LEAD OUT



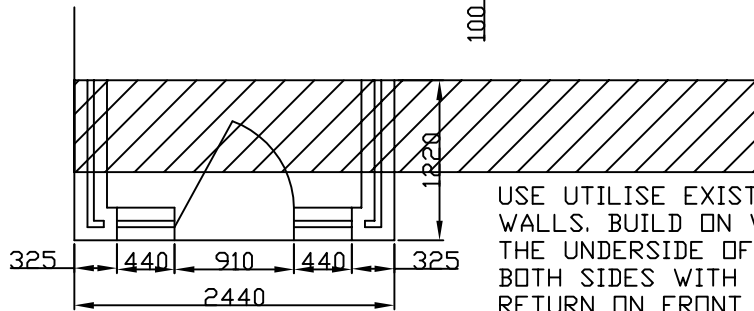
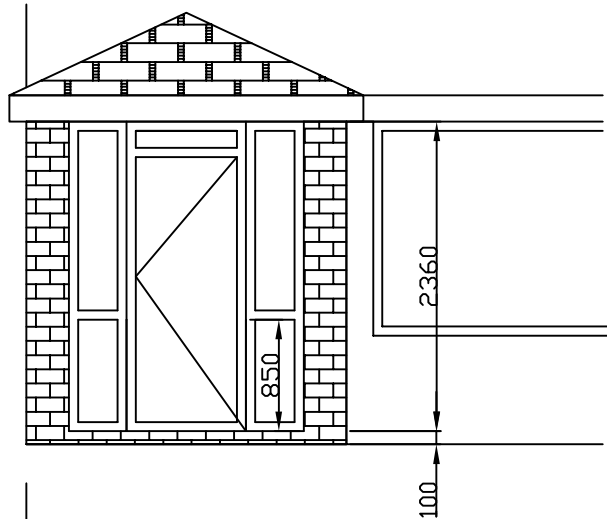
TILED ROOF TO PITCH BACK INTO EXISTING TILED ROOF
SEE PHOTO.



TEARPROOF FELT
TILED ROOF
6" ROCKWOOL TO
CEILING
50mm POLYSTYRENE
BETWEEN ROOF
RAFTERS.

IMPORTANT NOTE.

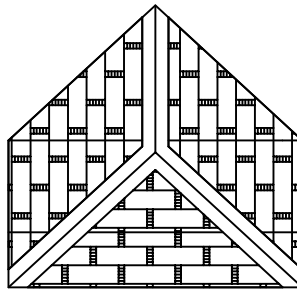
IT WILL NOT BE POSSIBLE TO GET AN EXACT BRICK MATCH. YOU WILL BE ABLE TO SEE WHERE THE JOINT IS ON THE FRONT AND SIDES. ALSO THE MORTAR JOINTS WILL BE A DIFFERENT COLOUR



USE EXISTING DWARF WALLS. BUILD ON WALL TO THE UNDERSIDE OF SOFFIT BOTH SIDES WITH A 325mm RETURN ON FRONT

CUT THROUGH FRONT SECTION TO SIZES INDICATED

INTERNAL WALLS TO BE THERMALITE BLOCK AND SKIMMED



WHITE FRAMES
LONDON VOLANS 11
CLEAR GLASS
GOLD HANDLES
GOLD LETTER BOX
150 MM CILL

